

g.GAMMAcap



Consumables

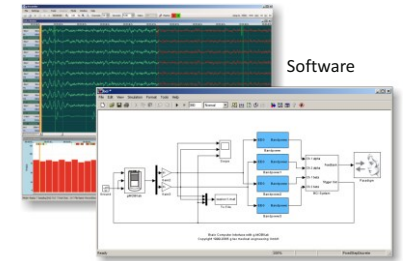
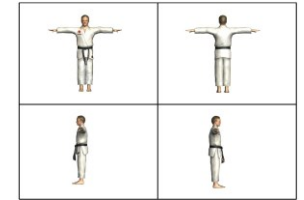
Electrodes active
 passive
 dry



Impedance tester
 Signal generator



VR-system
 g.AVATAR



Software

g.USBamp

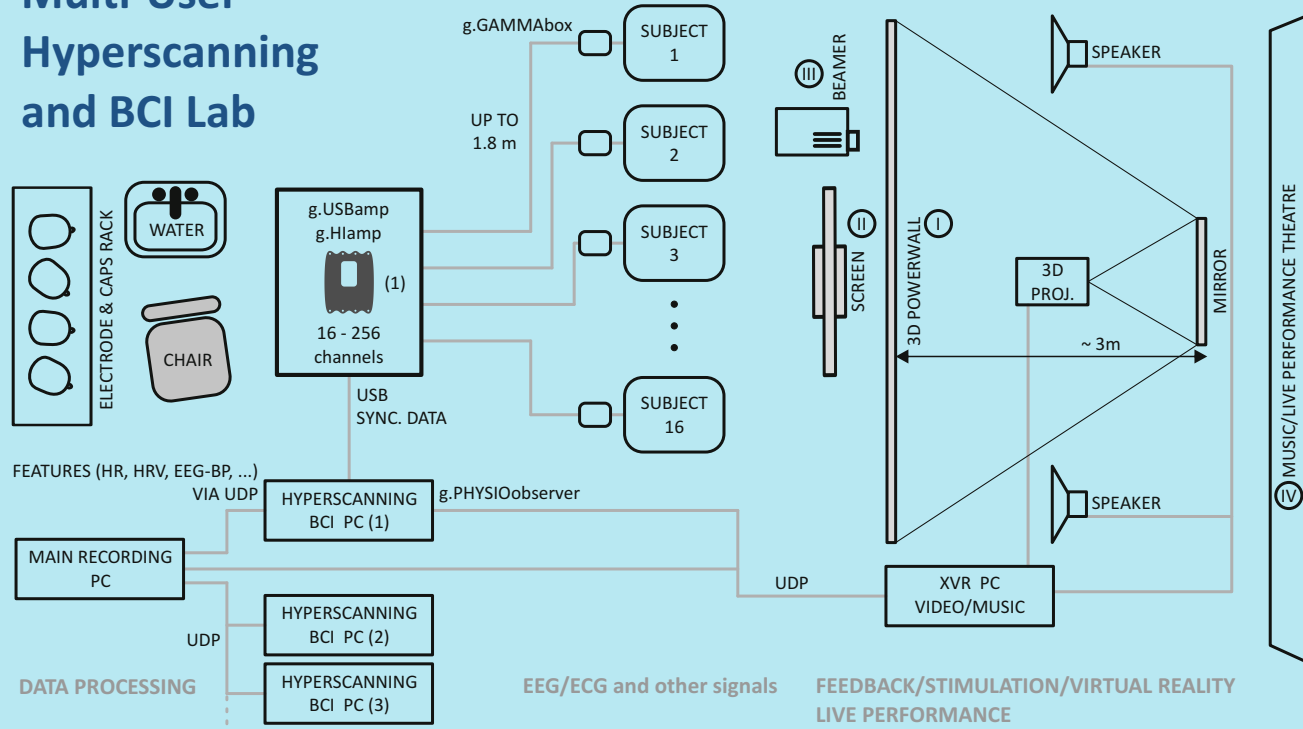
- 16 channels
- 32 channels
- 48 channels
- 64 channels



g.Hlamp

- 80 channels
- 144 channels
- 256 channels

Multi-User Hyperscanning and BCI Lab



g.tec medical engineering GmbH, office@gtec.at, www.gtec.at, tel. +43 7251 22240, fax +43 7251 22240 39 g.tec

- g.Recorder
 - g.BSanalyze
 - g.HlSys (Simulink)
 - g.HlSys (LabVIEW)
 - BCI2000
 - C/MATLAB/Linux API
 - g.RTanalyze
 - g.PHYSIOobserver
 - g.UDPinterface
 - Eyetracker interface
 - g.NEEDaccess
- Examples
- Hyperscanning
 - Motor imagery
 - SSVEP
 - CSP/RehaBCI
 - Vibro-tactile P300
 - Ping-Pong game
 - P300
 - Hybrid BCI
 - EMG/EKG control

Training material

- EEG lecture
- EP lecture
- BCI lecture

Request an offer for a complete lab for

- up to 4 subjects
- up to 8 subjects
- up to 16 subjects
- up to subjects



Sensors

- GSR
- Blood pressure
- Respiration
- Temperature
- Pulse
- Acceleration
- More sensors



Electrical stimulator



g.TRIGbox



g.STIMbox
 g.SSVEPbox



- Eyetracker (screen-mounted)
- Eyetracker (head-mounted)

Check products of interest and request an offer per fax (+43 7251 22240 39) or e-mail (office@gtec.at) !