



- g.MOBllab+
- EEG version
- multi-purpose version

g.GAMMAcap



Consumables

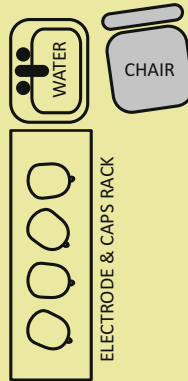
- Electrodes
- active
 - passive
 - dry



- g.USBamp
- 16 channels
- 32 channels
- 48 channels
- 64 channels



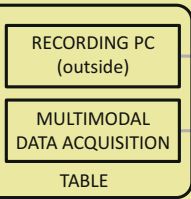
- g.Hlamp
- 80 channels
- 144 channels
- 256 channels



Operator / Data Processing and Storage

RECORDING ENVIRONMENT

- MOVING PLATFORM/ SIMULATOR
- HUMAN CENTRIFUGE
- HYPOBARIC/HYPERBARIC CHAMBER
- REAL VEHICLE OR AIRCRAFT



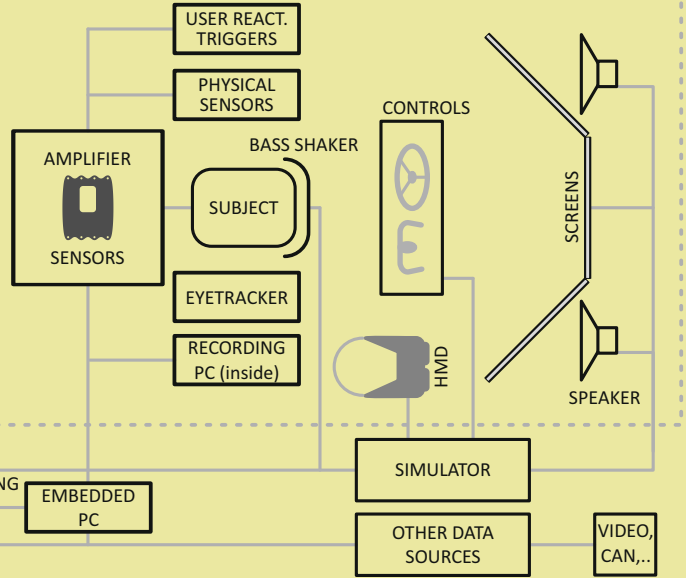
- (i) USB
- (ii) TCP/IP

DEWESOFT INTERFACE

SLIP RING

EMBEDDED PC

Neurophysiological and Physical Signals



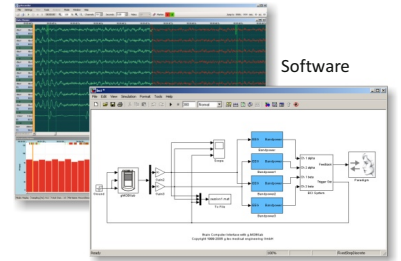
2D/3D Simulator Unit

g.tec medical engineering GmbH, office@gtec.at, www.gtec.at, tel. +43 7251 22240, fax +43 7251 22240 39 g.tec

- Impedance tester
- Signal generator



VR-system



Software

- (A) Everything inside the recording environment (e.g. hypobaric chamber, vehicle, aircraft)
- (B) Recording computer outside, amplifier inside nearby (< 3m), USB connection (e.g. hyperbaric chamber, moving platform simulator)
- (C) Recording computer far away (> 3m), amplifier inside, TCP/IP connection (e.g. human centrifuge)

- Request an offer for
- Moving platform/simulator lab
 - Human centrifuge/aerospace lab
 - Real vehicle/aircraft lab
 - Hypobaric/hyperbaric lab



- Eyetracker (screen-mounted)
- Eyetracker (head-mounted)



- Sensors
- GSR
 - Blood pressure
 - Respiration
 - Temperature
 - Pulse
 - Acceleration
 - More sensors



Electrical stimulator



- g.STIMbox
- g.SSVEPbox

Check products of interest and request an offer per fax (+43 7251 22240 39) or e-mail (office@gtec.at) !